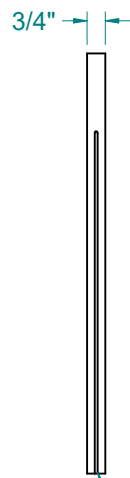
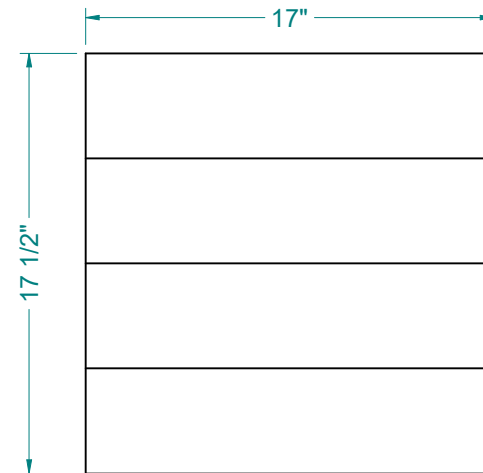


DETAIL A

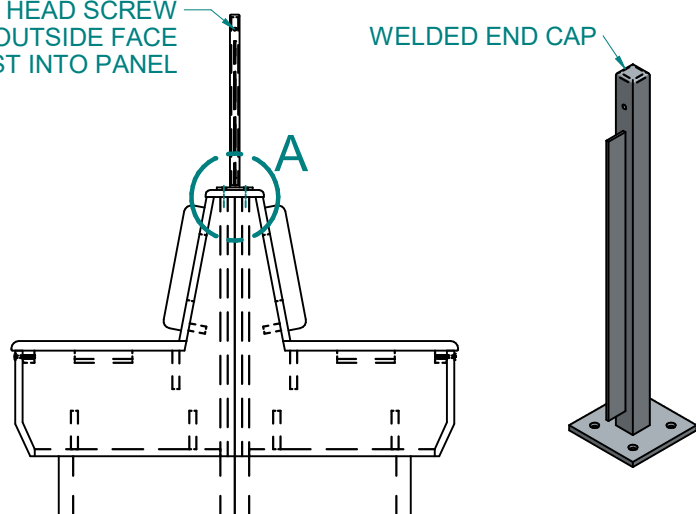


GROOVE IN BOTH EDGES TO MATCH METAL POST PART



PAN HEAD SCREW FROM OUTSIDE FACE OF POST INTO PANEL

WELDED END CAP



COUNTERSINK FOR #10 X 2" SCREW

