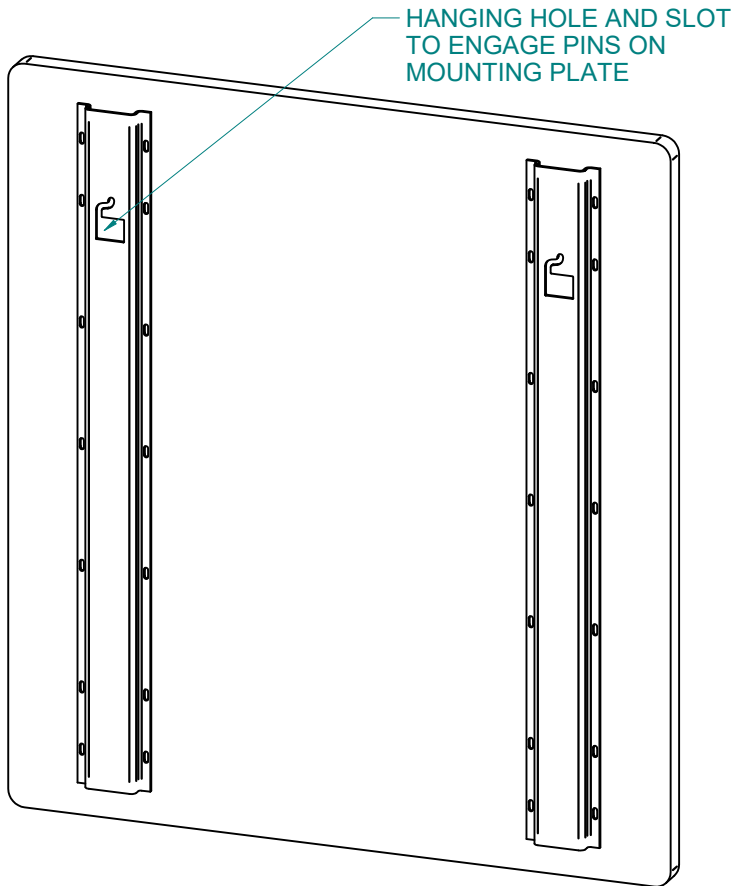


PIN HAS A 3/16"Ø SHAFT  
WITH A 3/8"Ø HEAD



HANGING HOLE AND SLOT  
TO ENGAGE PINS ON  
MOUNTING PLATE

