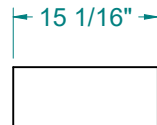
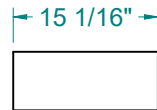
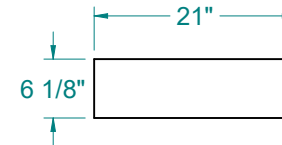
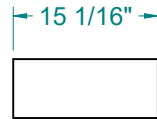
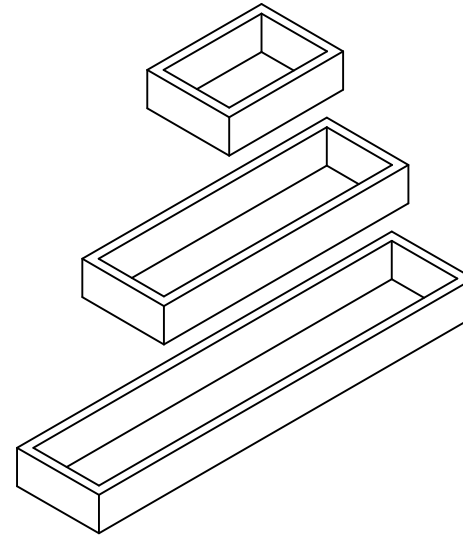


PLINTH DIMENSIONS FOR BOOTHS WITH FINISHED BACKS (FLOATING)



PLINTH DIMENSIONS FOR BOOTHS WITH UNFINISHED BACKS

