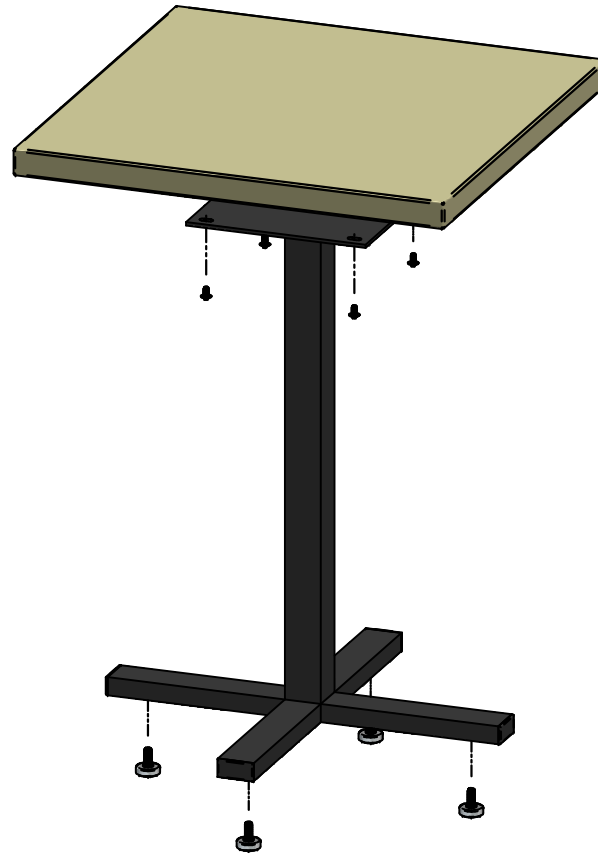


X BASE TABLE ASSEMBLY INSTRUCTIONS

- 88-0228 & 88-0138 - Table 24" x 24" x 30"H
- 88-0229 & 88-0139 - Table 24" x 24" x 42"H
- 88-0238 & 88-0167 - Table 36D x 42"H
- 88-0239 & 88-0168 - Table 30D x 42"H



X BASE TABLE ASSEMBLY INSTRUCTIONS

MATERIALS

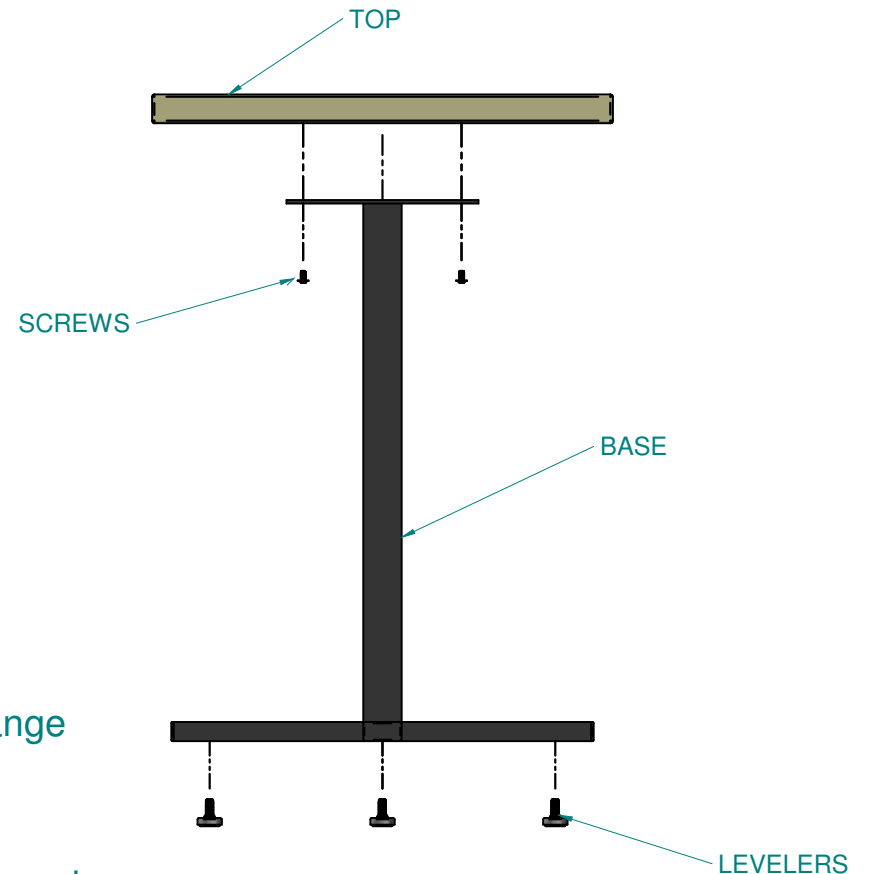
Table Package Includes

- Table Top
- Table Base
- Screws to attach Top to Base
- Allen Key
- Levelers

INSTRUCTIONS:

1. Screw Levelers into Base
2. Place Top on Base, keeping the slotted holes on the flange perpendicular to the grain direction of the Table Top
3. Attach Top to Base using Screws and Allen Key

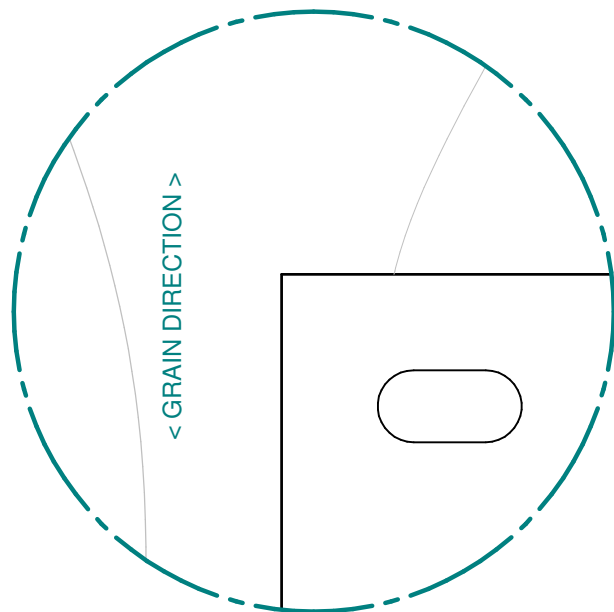
NOTE: Do not over-tighten the Screws that attach the Top and Base. Solid wood expands and contracts in width seasonally. Over-tightening may cause Tops to split.



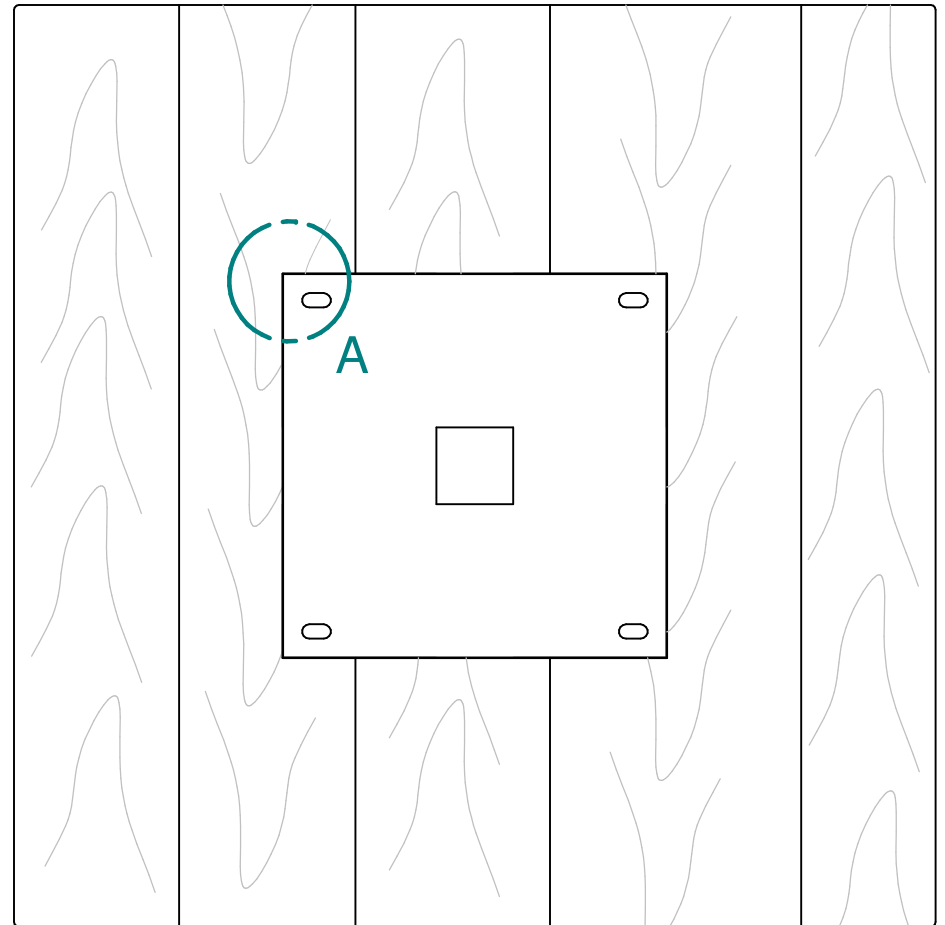
TOP AND BASE ALIGNMENT

When attaching top to base, keep the slotted holes on the table base flange perpendicular to the grain direction of the table top. See Detail A

NOTE: Do not over-tighten the screws that attach the top and base. Solid wood expands and contracts in width seasonally. Over-tightening may cause tops to split.



DETAIL A



BOTTOM VIEW WITHOUT FEET