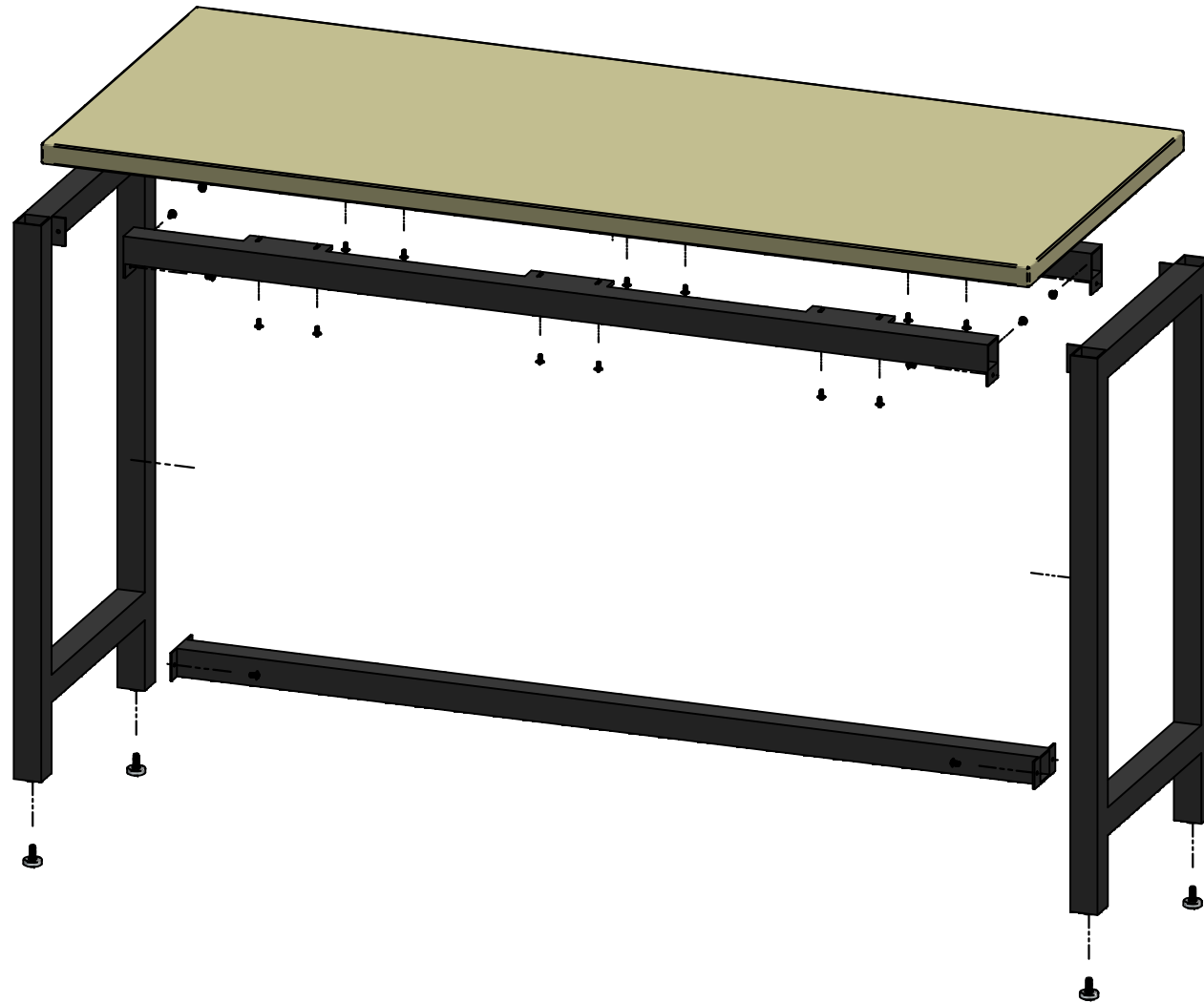


# T BASE TABLE ASSEMBLY INSTRUCTIONS

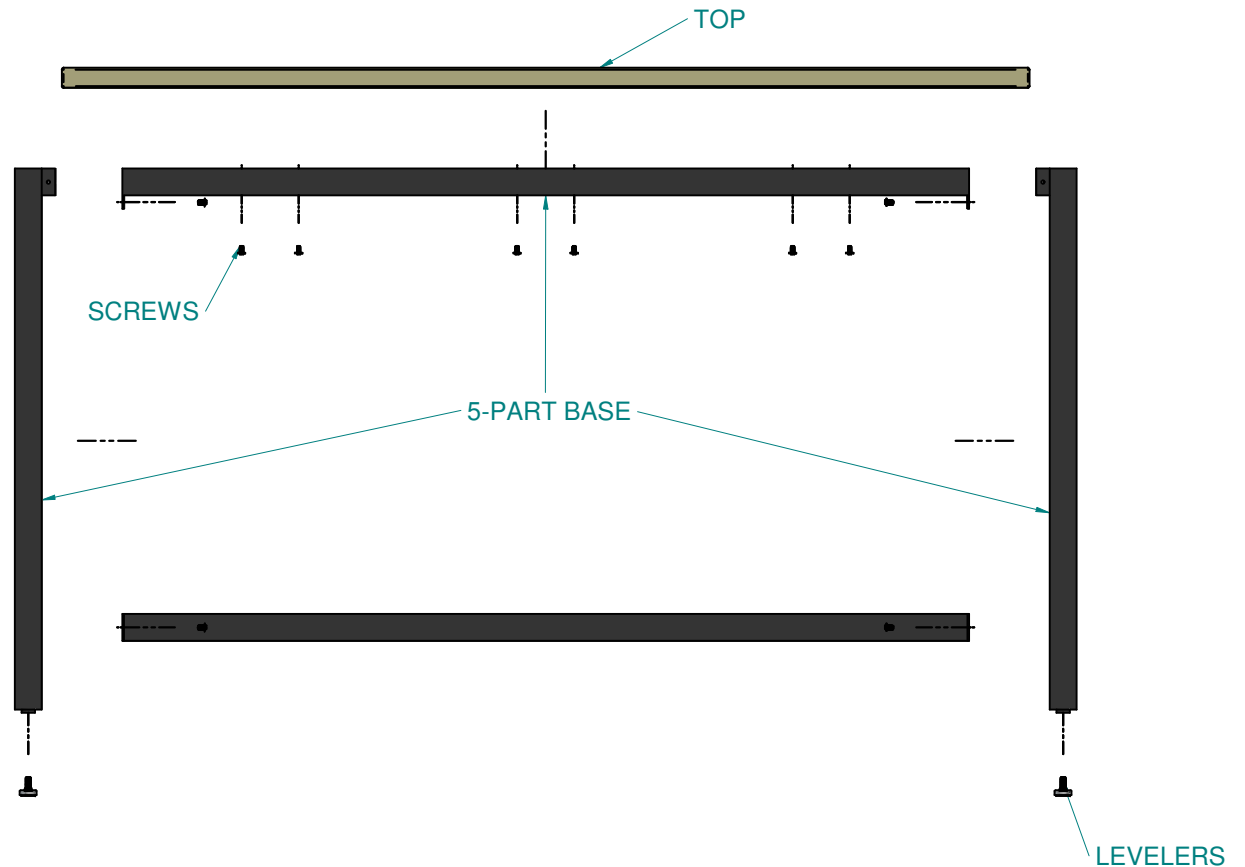
88-0244 & 88-0143 - Table 30" x72" x 42"H Family  
88-0240 & 88-0145 - Table 30" x100" x 42"H Family  
88-0241 & 88-0204 - Table 24" x100" x42"H Family  
88-0245 & 88-0205 - Table 24" x72" x42"H Family



# MATERIALS

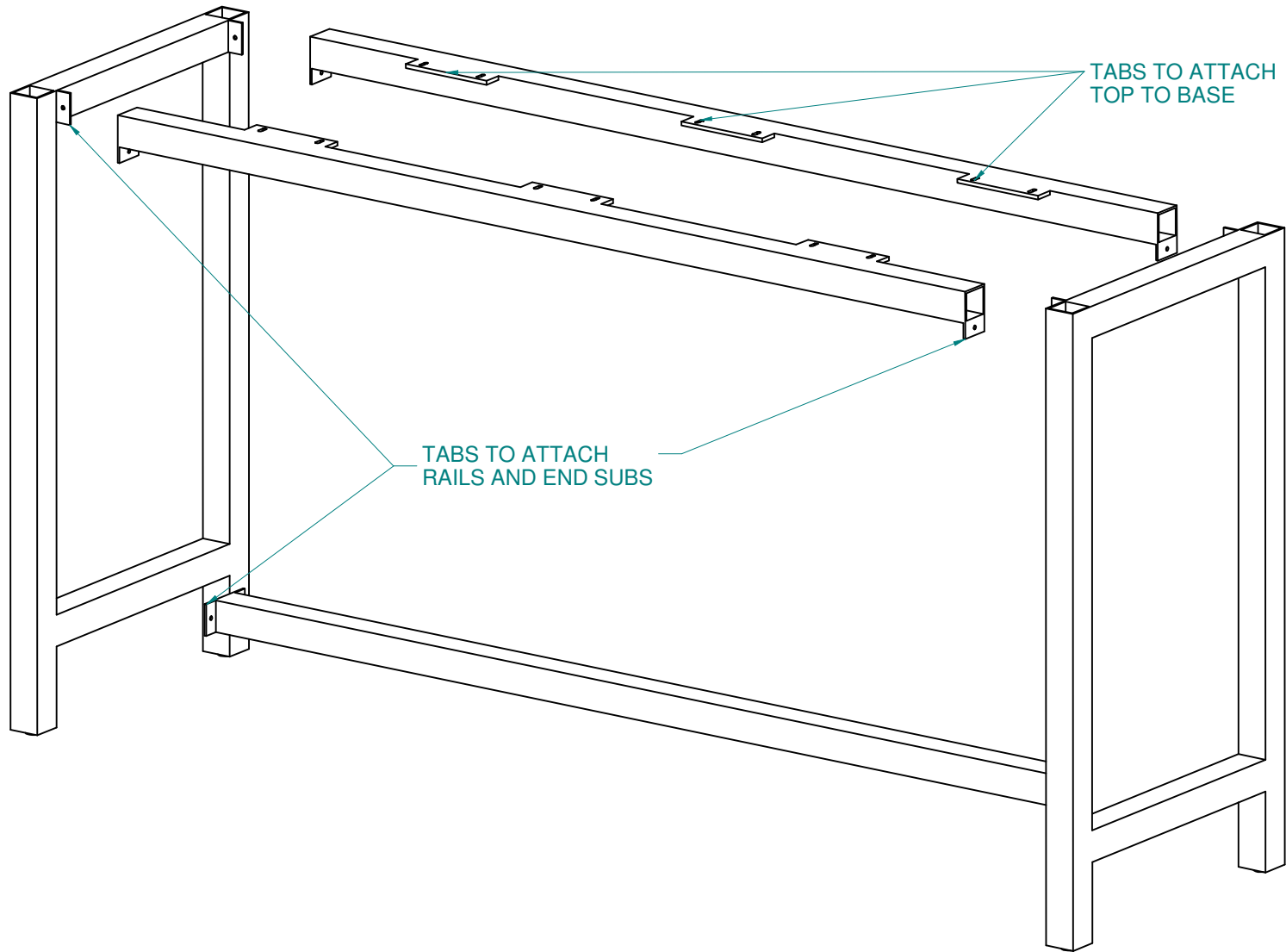
Table Package Includes

- Table Top
- 2 T-Bases and Crossbar
- Screws to attach top to base
- Allen Key
- Levelers



## INSTRUCTIONS:

1. Attach Crossbars to H-Bases using screws and Allen Key
2. Screw Levelers into Base
3. Place Top on Base
4. Attach Top to Base using Screws and Allen Key (see next page)

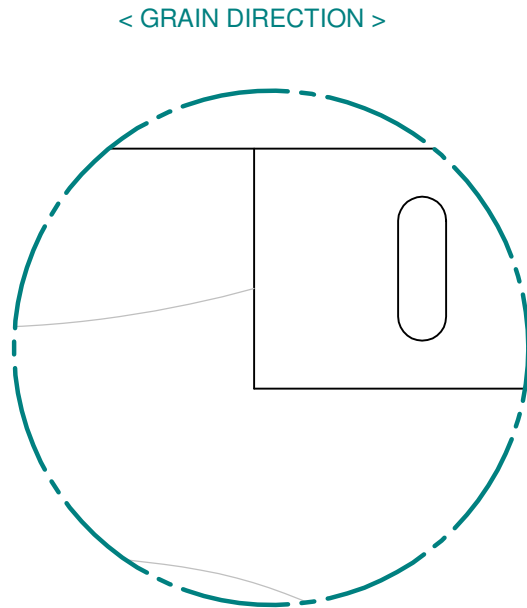


EXPLODED VIEW  
KNOCKDOWN TABLE BASE

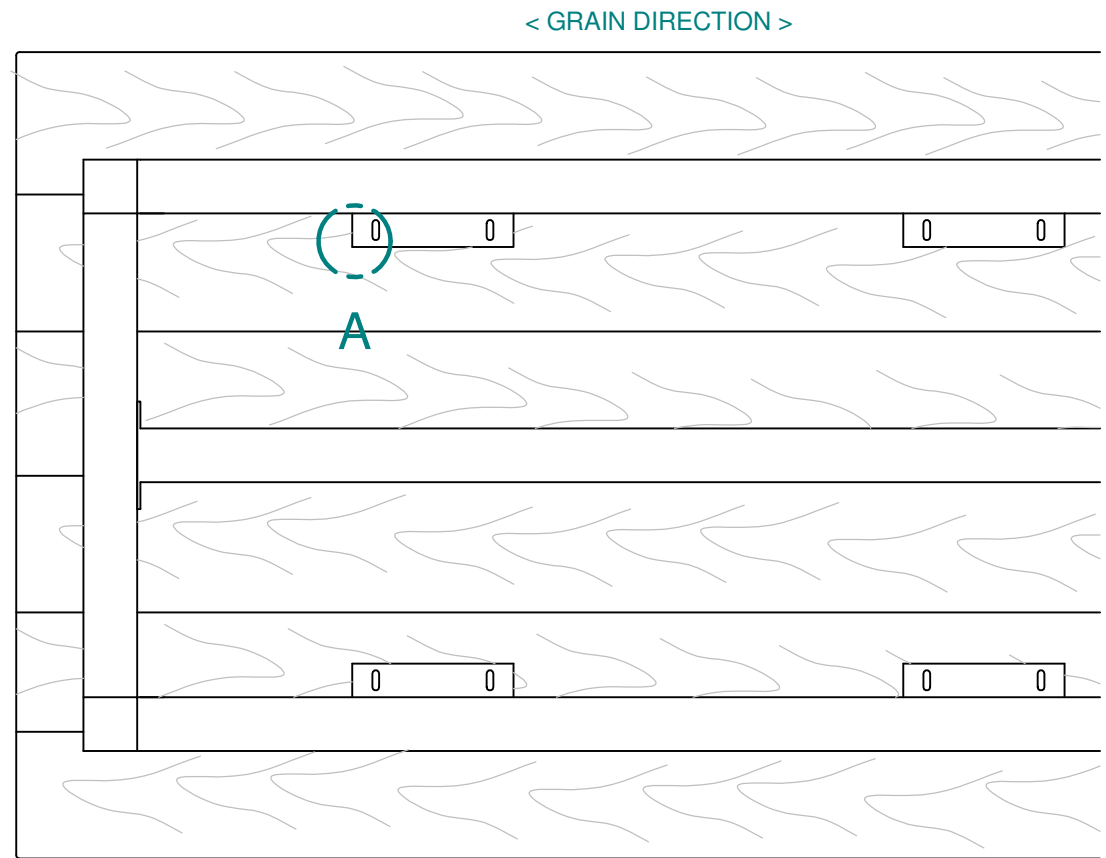
# TOP AND BASE ALIGNMENT

When attaching top to base, keep the slotted holes on the table base flange perpendicular to the grain direction of the table top. See Detail A

NOTE: Do not over-tighten the screws that attach the Top and Base. Solid wood expands and contracts in width seasonally. Over-tightening may cause tops to split.



DETAIL A



BOTTOM VIEW WITHOUT FEET