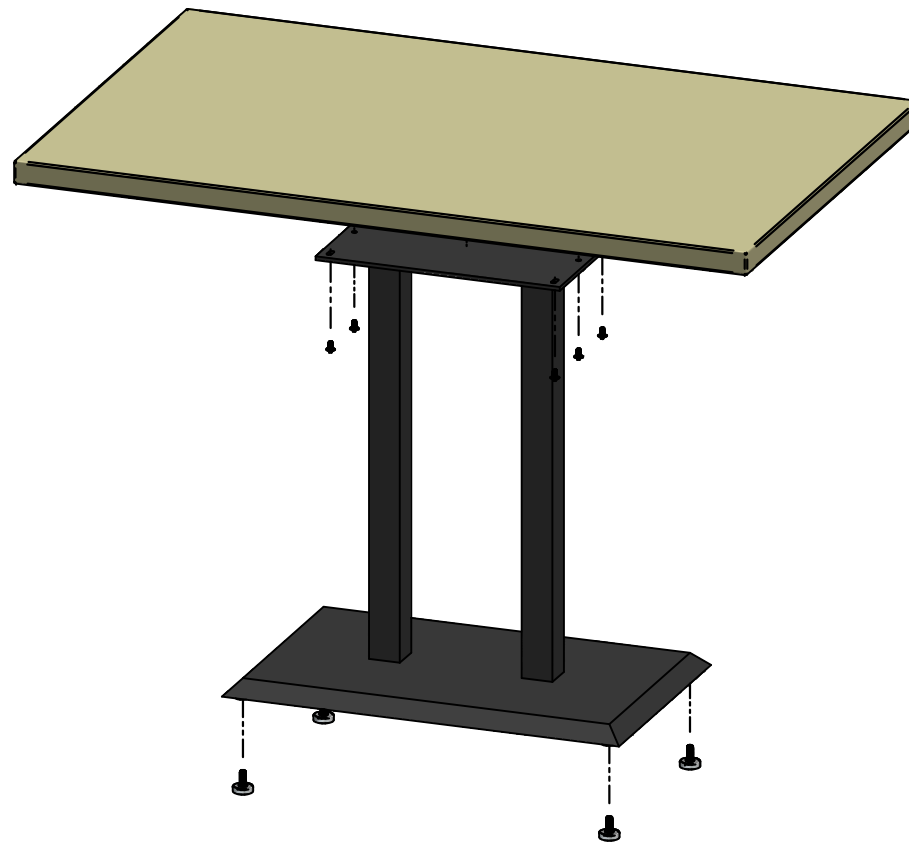


BOOTH BASE TABLE ASSEMBLY INSTRUCTIONS

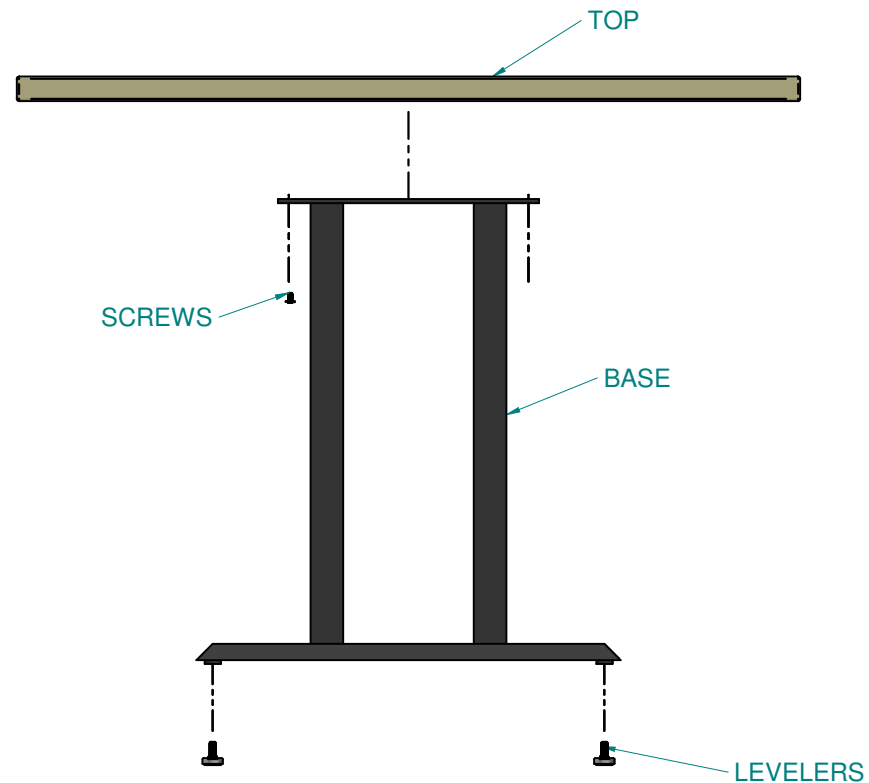
88-0235 & 88-0144 - Table 30" x 72" x 30"H Booth
88-0234 & 88-0146 - Table 30" x 48" x 30"H Booth
88-0233 & 88-0147 - Table 30" x 24" x 30"H Booth



MATERIALS

Table Package Includes

- Table Top
- Table Base
- Screws to attach top to base
- Allen Key
- Levelers



INSTRUCTIONS:

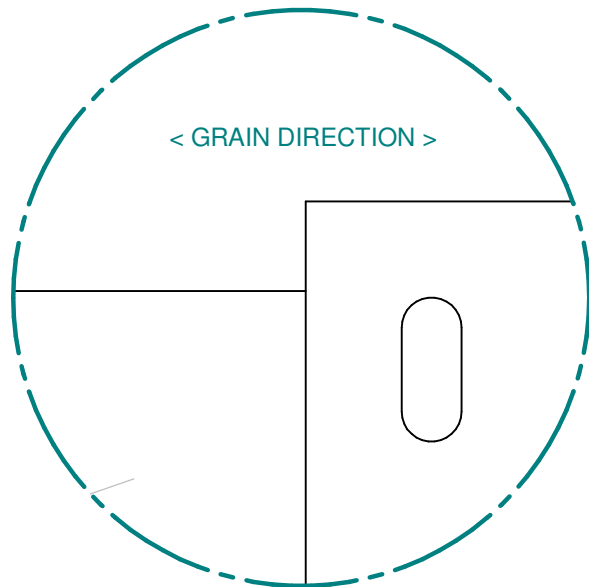
1. Open box containing top and hardware
2. Place base on top
3. Insert and hand tighten all screws,
4. Tighten down all screws with allen key
5. Screw levelers into base

NOTE: Do not over-tighten the screws that attach the top and base. Solid wood expands and contracts in width seasonally. Over-tightening may cause tops to split.

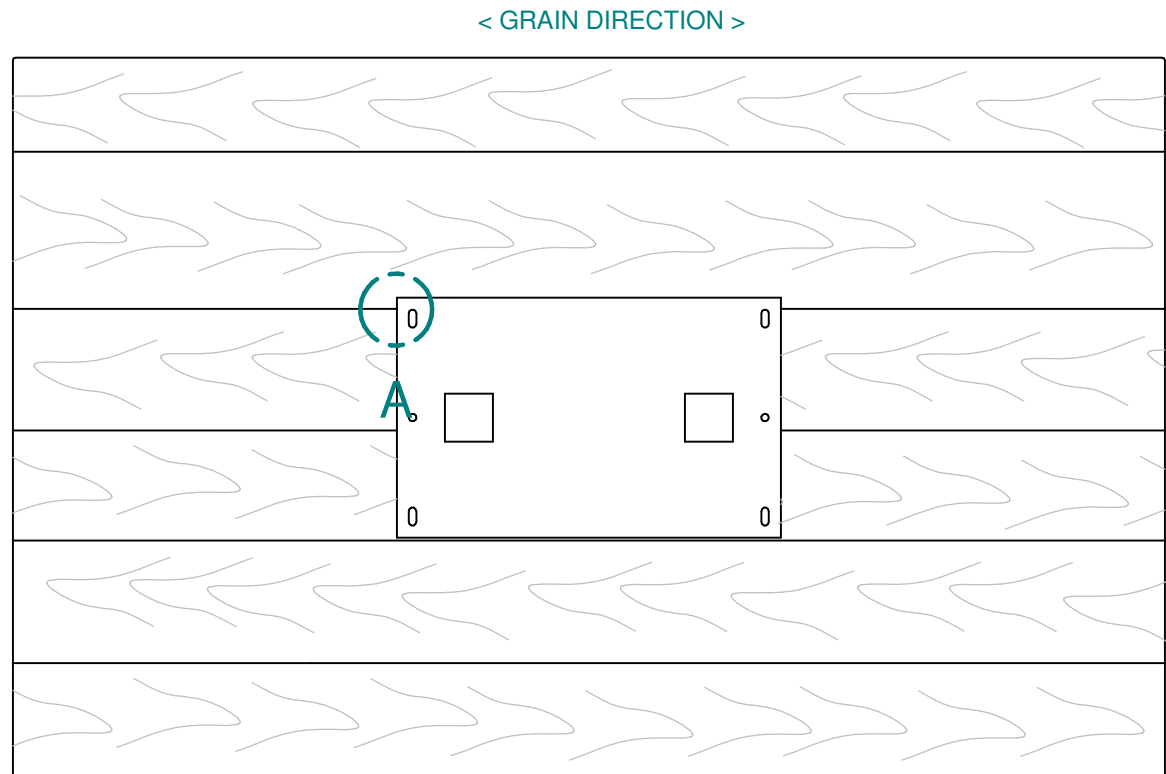
TOP AND BASE ALIGNMENT

When attaching top to base, keep the slotted holes on the table base flange perpendicular to the grain direction of the table top. See Detail A

NOTE: Do not over-tighten the screws that attach the Top and Base. Solid wood expands and contracts in width seasonally. Over-tightening may cause tops to split.



DETAIL A



BOTTOM VIEW WITHOUT FEET