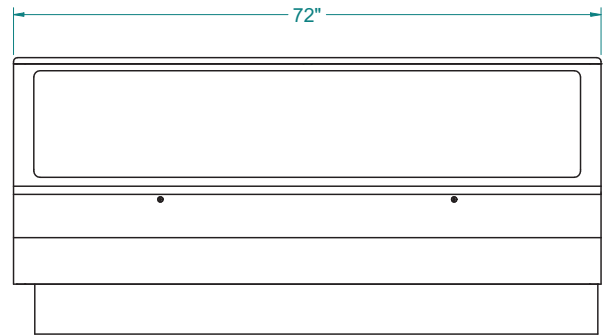
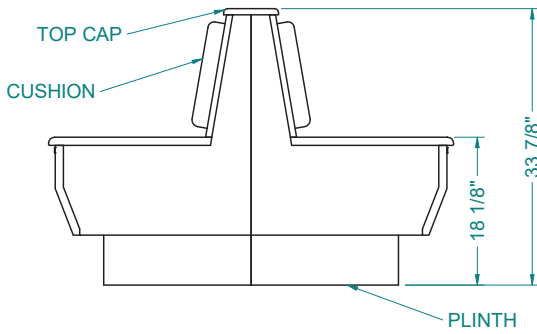


PLINTH, CUSHION, AND TOP CAP TO BE INSTALLED ON SITE. BOOTHS PACKAGED INDIVIDUALLY FOR SHIPMENT



FIVE GUYS PROGRAM  
 MOSER CONTRACT  
 www.fg.mosercontract.com

Five Guys  
 Booth 3PS 72"W Double  
 NOTES

QUANTITY	ITEM	88-0128
REVISION	DWG	88-0128_3PS_Double.dft
BY MarkP	DATE	08/03/23