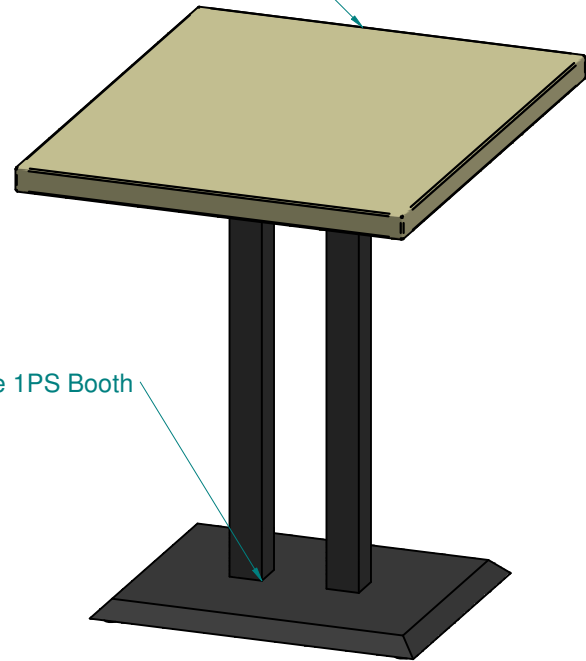


88-0131_Table Top 1.5Thx30Wx24L Booth



88-0219_Table Base 1PS Booth

